



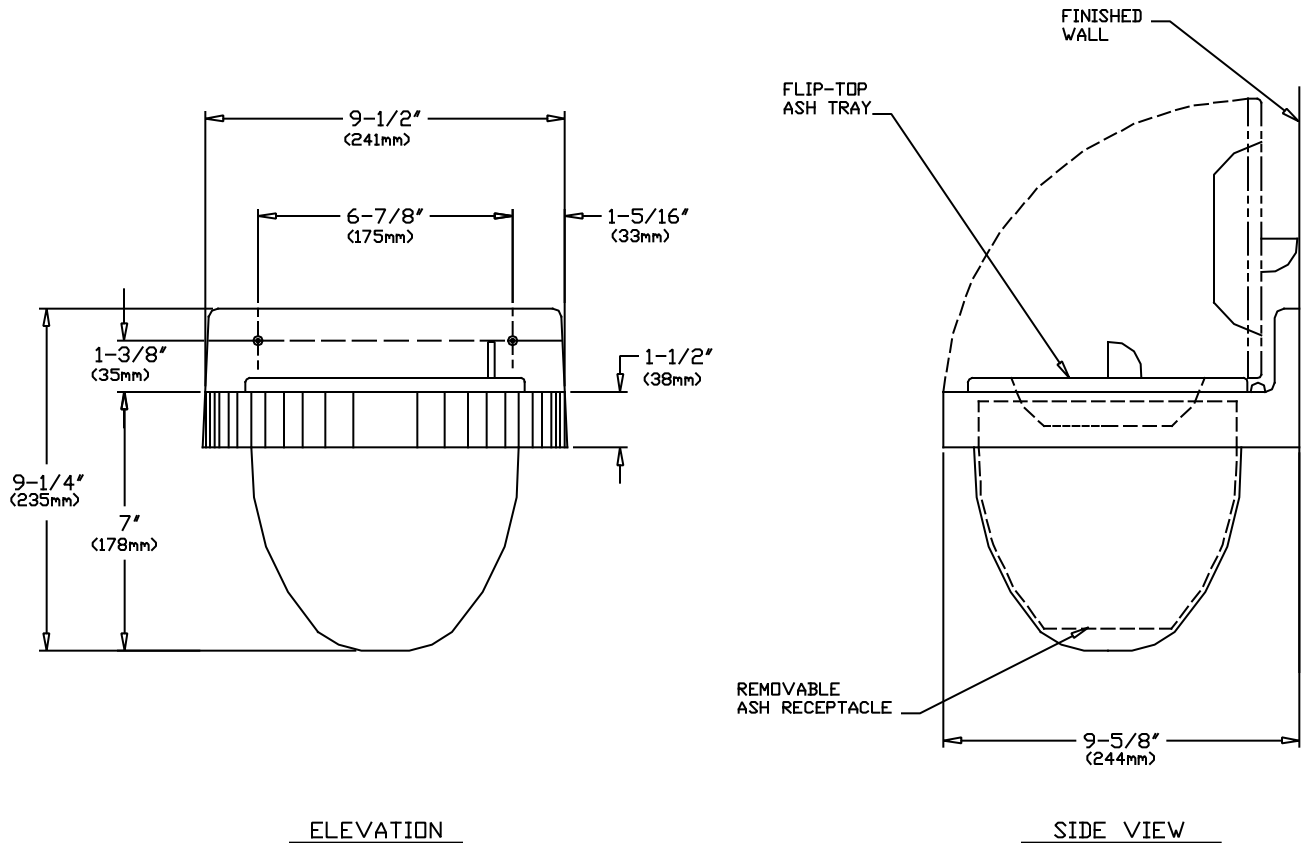
AMERICAN SPECIALTIES, INC.
 441 Saw Mill River Road, Yonkers, NY 10701 (914) 476-9000

MODEL No: 8095

ISSUED: 1-87

REVISED: 9-96

SURFACE MOUNTED ASH URN



SPECIFICATION

Surface Mounted Ash Urn with Flip Top ashtray shall be fabricated of alloy 18-8 stainless steel, type 304, N^o22 gauge. Internal waste container shall be fabricated of aluminum and shall be seamless. Mounting bracket shall be fabricated of clear anodized aluminum. Flip-top ashtray shall be removable. Entire unit shall have a N^o4 satin finish.

Surface Mounted Ash Urn shall be Model N^o 8095 as fabricated by American Specialties Inc., 441 Saw Mill River Road, Yonkers, New York 10701- 4913

INSTALLATION

Mounting bracket is secured to wall with N^o10 screws (supplied). Urn assembly is placed into supporting bracket. For compliance with ADA Accessibility Guidelines, unit should be installed with ashtray top 54" (1372mm) maximum above finished floor (AFF) if clear floor side reach access is provided or 48" (1219mm) maximum AFF if clear floor forward reach access is only provided. For general utility unit should be installed so that ashtray top is 32" (813mm) to 45" (1143mm) AFF.

OPERATION

Ashes are dumped from ashtray into waste container inside urn by activating trigger on ash-trough. Waste container is emptied manually on cycle determined by maintenance needs. Flip top ashtray is removable for service cleaning.

Accessory Specialties

AMERICAN DISPENSER

Desert Ray Products

WATROUS INC.